

INSTRUCTION GUIDE

Mechanical Entry Chime DH994
Congratulations on a wise purchase!

ENCLOSED YOU WILL FIND:

- Chime Assembly*
- Mounting Plate
- Metal Disk
- Spacer (optional)
- #10 x 3/4" Long Flat Head Screw
- #10 x 1-1/4" Long Sheet Metal Screws (2)
- #10 Nuts (2) and #10 x 1/2" Long Screws (2)

*This product is for indoor use only.

TOOLS NEEDED:

- Phillips head screwdriver

INSTALLATION

The entry chime can be used on doors that open in or open out and can be used with wood or metal door frames. For best results, install 2" from where door opens (Figure 1).

Entrance Door that Opens In

1. Position mounting plate on the inside of door so that the top of plate is aligned with the top of door. Mark screw locations.
2. Using the nuts and screws provided, secure the chime to the mounting plate (Figure 2).

FIGURE 1

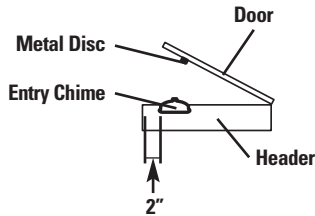
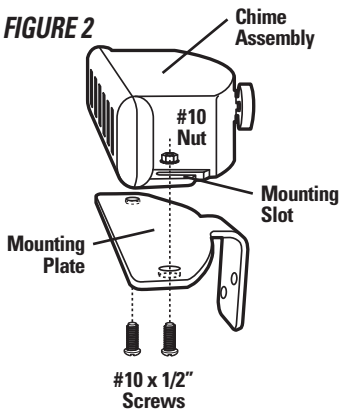


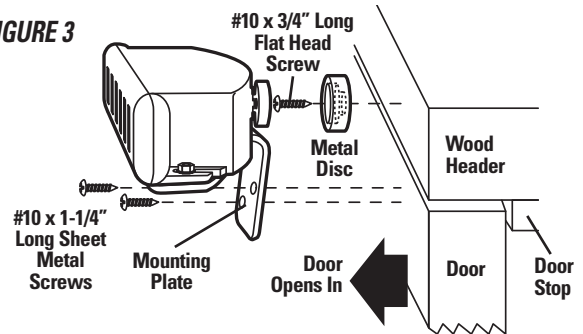
FIGURE 2



3. Align mounting plate and chime with marked screw locations and secure to door with provided #10 x 1-1/4" long screws.
- Note:** If door frame is not metal, proceed to steps 4 & 5 to install metal disk (Figure 3).
4. Mark where chime magnet hits door frame.
5. Using the #10 x 3/4" long flat head screw, mount metal disk to the wood door frame at marked location.

Note: Chime can be adjusted forward and backward by loosening/tightening screws on mounting plate.

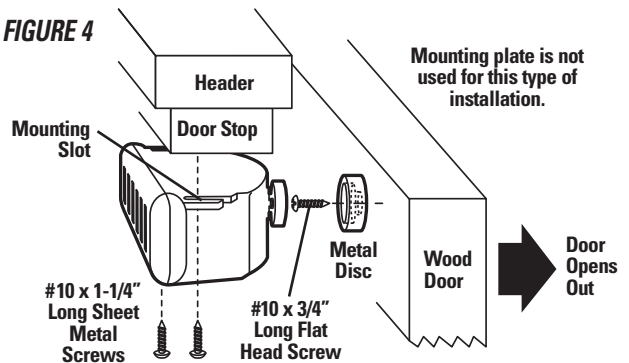
FIGURE 3



Entrance Door that Opens Out

1. Position chime on door stop with chime magnet facing door.
2. With magnet touching door, mark mounting slots on door stop.
3. At the marks, drill #28 (.136" dia.) pilot holes.
4. Mount chime to door stop with #10 x 1-1/4" long sheet metal screws (Figure 4). **Note:** If door is not metal, proceed to steps 5 & 6.
5. Mark where chime magnet hits door.
6. Using the #10 x 3/4" long flat head screw, mount metal disk to the wood door at marked location.

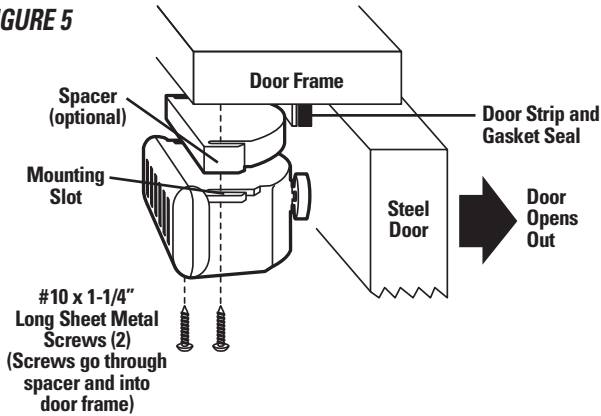
FIGURE 4



Installations with a Door Stop Strip that Interferes with the Magnet

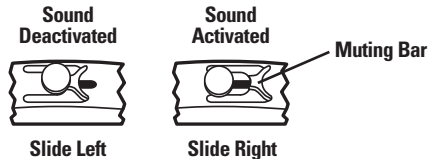
Use spacer and #10 x 1-1/4" long screws to mount the mechanical chime to the door frame. Drill a pilot hole for the sheet metal screw using a #28 (.136" dia.) drill.

FIGURE 5



OPERATION

Carlson's entry chime operates magnetically. As the door opens, the chime magnet pulls away from the door frame or metal disc causing the magnet to hit the chime bar which makes a sound. To deactivate sound, slide muting bar under magnet.



LIMITED WARRANTY

The product you have purchased is guaranteed against defects in workmanship and materials for the period stated on the package. Warranties implied by law are subject to the same time period limitation. Some states do not allow limitations on how long an implied warranty lasts, so this time limitation may not apply to you.

If the product fails due to a manufacturing defect during normal use, return the product and dated sales receipt to the store where purchased for replacement OR send the product and the dated sales receipt to:

Lamson & Sessions
Attn: LHP Customer Service
25701 Science Park Drive
Cleveland, OH 44122 USA

Not Covered - Batteries, light bulbs, and other expendable items are not covered by this warranty. Repair service, adjustment and calibration due to misuse, abuse or negligence are not covered by this warranty. Unauthorized service or modification of the product or of any furnished components will void this warranty in its entirety. This warranty does not include reimbursement for inconvenience, installation, set-up time, loss of use, postage, unauthorized service, or other products used in conjunction with, but are not supplied by, Lamson & Sessions.

All requests for replacement must include **a dated sales receipt** (copies accepted). LAMSON & SESSIONS IS NOT LIABLE FOR LOST PROFITS, INDIRECT, SPECIAL, EXEMPLARY, INCIDENTAL OR CONSEQUENTIAL DAMAGES INCLUDING WITHOUT LIMITATION ANY SUCH DAMAGES DUE TO IMPROPER WIRING OR MISUSE OF THE PRODUCT. As some states do not allow the exclusion or limitation of incidental or consequential damages, the above limitation and exclusion may not apply to you.

ALSO AVAILABLE FROM CARLON:

- Extend-A-Chime® – lets you hear your existing wired doorbell in remote areas of your home or yard
- Plug-in and Battery Doorbells and Chimes
- On/Off Remote Switches
- Touch and Automatic Lighting Controls

This warranty gives you specific legal rights, and you may also have other rights which vary from state to state.

Carlson®

25701 Science Park Drive
Cleveland, Ohio 44122
www.lamson-sessions.com

Made in China
©2007 LAMSON & SESSIONS
070320 IS195