

 **Security Alarm**

*Alarm or chime sounds when any movement is detected in room!*



*REMOTE CONTROL/WIRELESS*  
**CEILING ALARM**

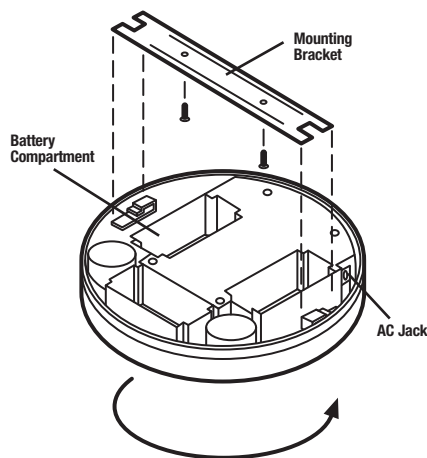
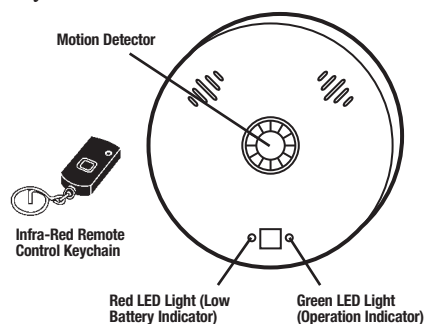
Detects Motion in a 360° Circle Up to 20 Feet Away

Compact Keychain Remote Control Turns Alarm On and Off From 25 Feet Away

1-YEAR  
WARRANTY

# REMOTE CONTROL/WIRELESS CEILING ALARM

The Remote Controlled Ceiling Alarm is designed to be mounted on the ceiling in the center of a room at a height of 8 to 10 feet from the ground, where the PIR (passive infra-red) sensor will detect the movement of heat over an area of 20 feet by 360 degrees. It is armed/disarmed with the infra-red remote control keychain.



## TOOLS NEEDED

- Phillips screwdriver

## INSTALLATION

Insert 3 "C" size alkaline batteries (not included) into the compartments on the back of the unit, as indicated by the internal markings. Alternatively, a 7.5-15 volt adaptor (not included) can be connected to the AC jack socket which can be found at the back of the unit.

Remove the protective film between green and red LED lights.

Affix the mounting bracket to the ceiling in the desired center position, using the screws provided. The alarm can now be attached to the bracket by aligning the plastic clips to the bracket and turning the unit clockwise. The clips will then snap into the bracket. To take the unit off, simply push the unit up against the ceiling and rotate counter clockwise.

## ARMING/DISARMING THE ALARM

The unit is armed/disarmed by use of the infra-red remote control keychain, which operates up to a distance of 25 feet from the alarm. Simply point the remote control at the alarm, press once and release.

1. The unit will sound "Ding-Dong" to signify entry into Chime mode. In this mode, whenever motion is detected, a "Ding-Dong" sound will play.
2. When the Remote Control is pressed a second time, the unit will give one "beep" signifying entry into Alarm mode. The Green LED will light up for approx. 30-45 seconds allowing exit from the detection zone.

To disarm the unit, simply press the remote control a third time. The unit will give two beeps signifying the unit being disarmed. When entering the detection zone, approximately 10 seconds are given to deactivate the unit before the alarm sounds.

If the green light is flashing upon your return, there has been an intrusion. The alarm has been set off, and has reset itself.

## THE ALARM

The alarm is activated by the motion detection sensor. After a 10 second delay, the 110dB high frequency alarm will automatically sound once the sensor has detected movement. It will remain on for approximately one minute if no further movement is detected, after which it automatically shuts off and resets itself.

## LOW BATTERY INDICATOR

When the batteries are running low, the red LED on the front of the unit will flash. The alarm will also beep every 20 seconds as a warning that the batteries need to be replaced.

## BATTERY BACK-UP FUNCTION

If there is a power failure when the unit is being operated by the AC power source, as long as the unit contains the correct batteries, it will automatically switch to battery power leaving the unit armed and ready to detect motion.

## KEYCHAIN BATTERY REPLACEMENT

Batteries are located within the main alarm compartment. Simply remove the screw on the back of the remote control keychain at the bottom. Replace batteries with 2 button cell batteries (1.5v).

## IMPORTANT

The Remote Controlled Ceiling Alarm is a sensitive electrical product and the following precautions should be followed:

- Do not drop the unit.
- Do not place the unit close to a source of direct heat.
- Do not use different types of batteries or mix old and new ones.
- Do not use rechargeable batteries.
- As with most motion detection devices, pets may activate your unit.
- Not recommended for wall mounting.

## LIMITED WARRANTY

The product you have purchased is guaranteed against defects in workmanship and materials for the period stated on the package. Warranties implied by law are subject to the same time period limitation. Some states do not allow limitations on how long an implied warranty lasts, so this time limitation may not apply to you.

If the product fails due to a manufacturing defect during normal use, return the product and dated sales receipt to the store where purchased for replacement OR send the product and the dated sales receipt to:

Lamson & Sessions  
25701 Science Park Drive  
Cleveland, OH 44122 USA  
Attn: LHP Customer Service

**Not Covered** - Batteries, light bulbs, and other expendable items are not covered by this warranty. Repair service, adjustment and calibration due to misuse, abuse or negligence are not covered by this warranty. Unauthorized service or modification of the product or of any furnished components will void this warranty in its entirety. This warranty does not include reimbursement for inconvenience, installation, set-up time, loss of use, postage, unauthorized service, or other products used in conjunction with, but are not supplied by, Lamson & Sessions.

All requests for replacement must include a **dated sales receipt** (copies accepted). LAMSON & SESSIONS IS NOT LIABLE FOR LOST PROFITS, INDIRECT, SPECIAL, EXEMPLARY, INCIDENTAL OR CONSEQUENTIAL DAMAGES INCLUDING WITHOUT LIMITATION ANY SUCH DAMAGES DUE TO IMPROPER WIRING OR MISUSE OF THE PRODUCT. As some states do not allow the exclusion or limitation of incidental or consequential damages, the above limitation and exclusion may not apply to you.

This device complies with Part 15 of the FCC rules. Operation is subject to the following two conditions:

1. This device may not cause harmful interference, and
2. This device must accept any interference received, including interference that may cause undesired operation.

This device complies with RSS-210 of Industry Canada.

## ALSO AVAILABLE FROM CARLON:

- Extend-A-Chime® - lets you hear your existing wired doorbell in remote areas of your home or yard
- Plug-in and Battery Doorbells and Chimes
- On/Off Remote Switches
- Touch and Automatic Lighting Controls

This warranty gives you specific legal rights, and you may also have other rights which vary from state to state. If you have questions or need further assistance, please call Lamson & Sessions at: 1-800-346-2646, Mon. - Fri., 9 a.m. - 4 p.m. EST.

**Carlon®**

25701 Science Park Drive  
Cleveland, Ohio 44122  
www.lamson-sessions.com

Made in China  
© 2004 LAMSON & SESSIONS  
0407 SR4900D

